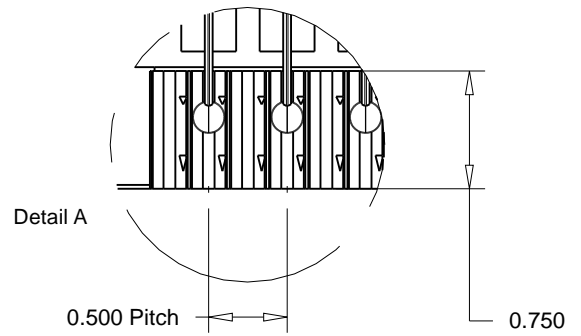
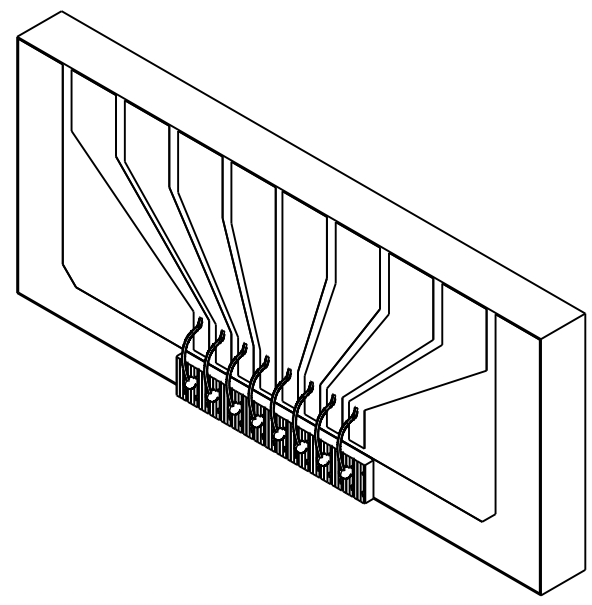
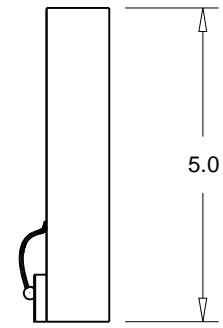
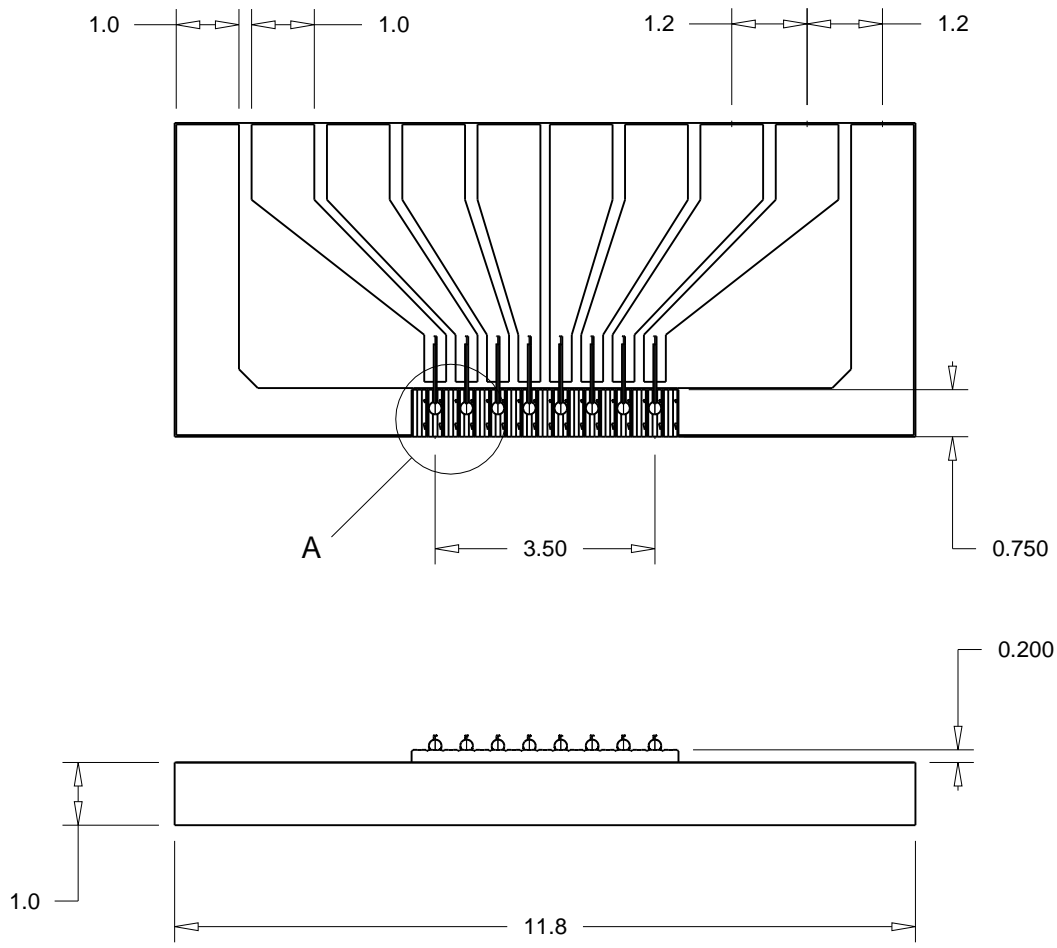


REV.	DESCRIPTION	DATE	BY
0	Mise en place initiale	13/10/15	DB



Variation on finished dimensions up to 150 mm unless indicated:
1 decimal places: ± 0.1 mm.
2 decimal places: ± 0.05 mm.
3 decimal places: ± 0.02 mm.

Laser Array 905nm 11.8mm Addressable			
Applicables product codes: All			

Dessiné par: D. BAPTIZET 09/10/15
Drawn by:
Conçu par: D. BAPTIZET 09/10/15
Designed by:

Format Size A	Numéro de dessin Drawing number	A905D1S8L3J03Y-0201	REV 0
Échelle Scale	8:1	LC Canada	Page Sheet 1/1